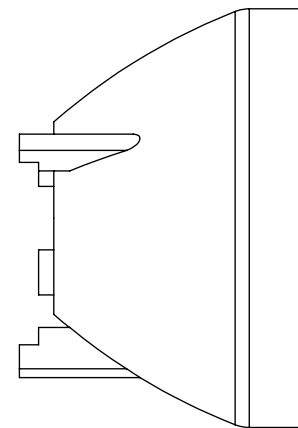
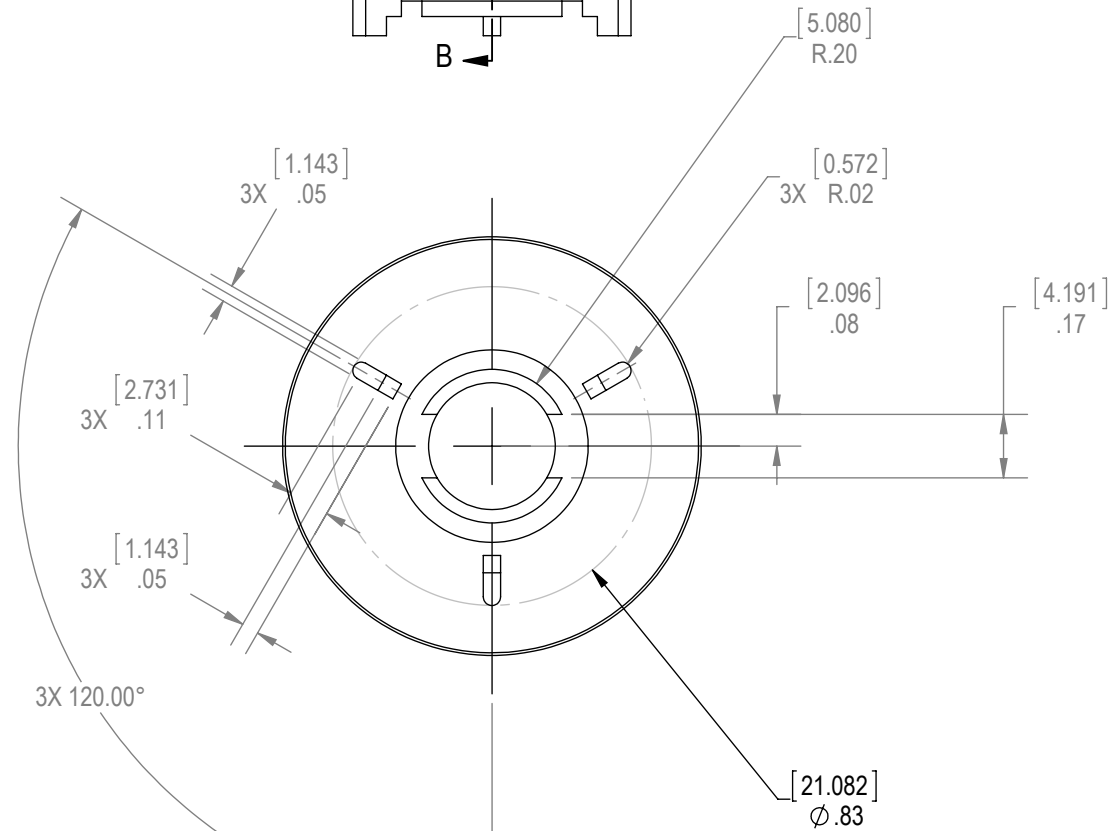
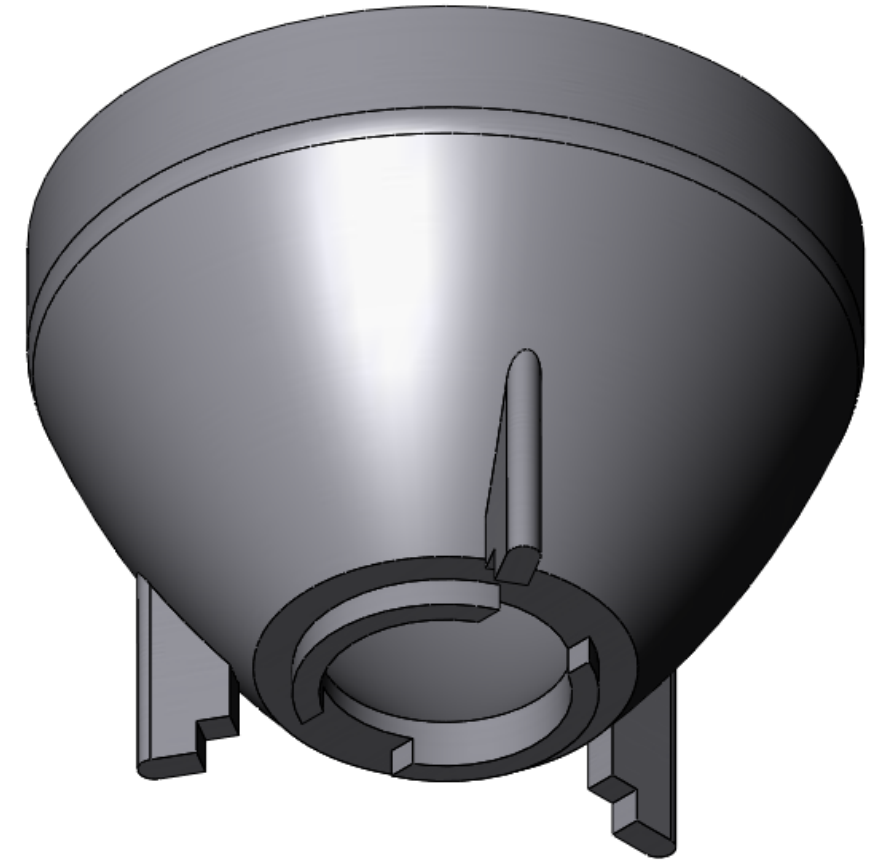
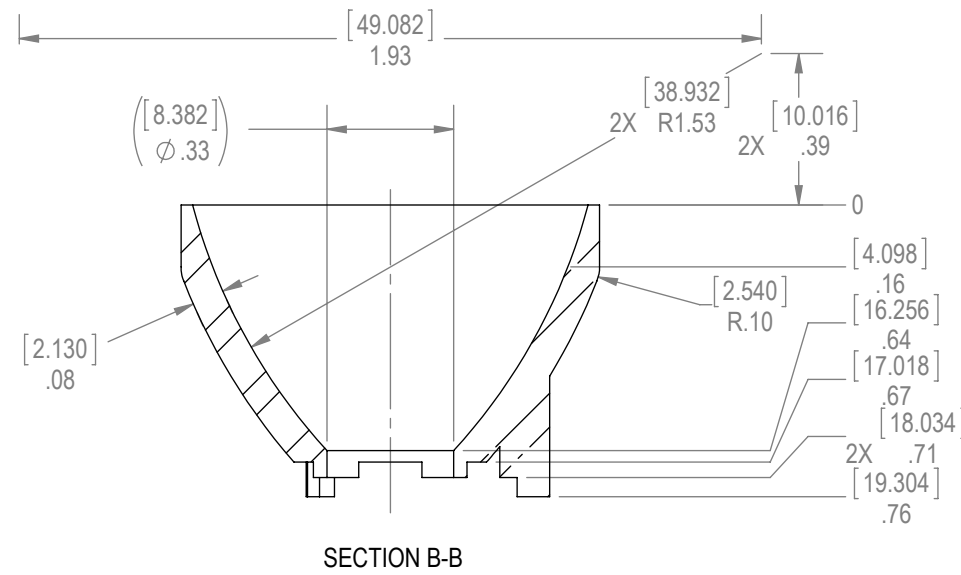
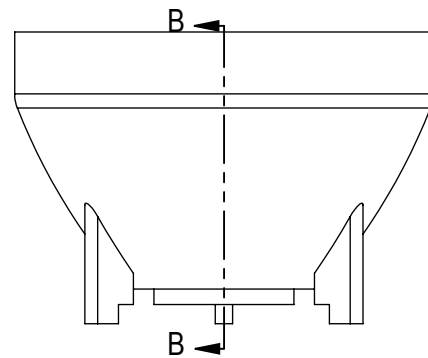
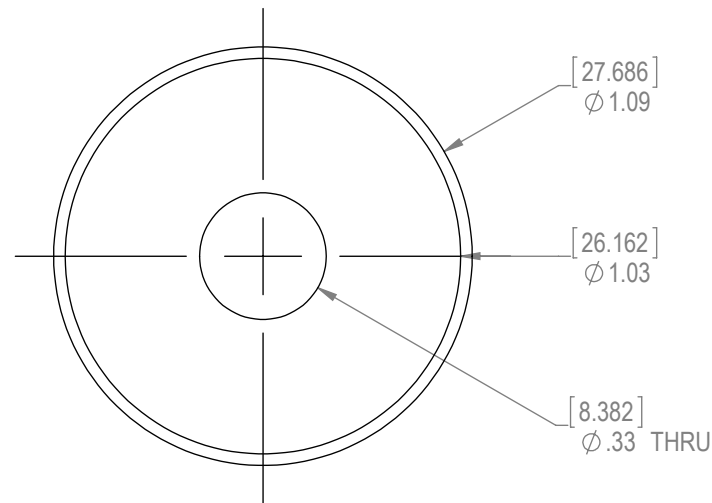


NOTES:  
DIMENSIONS IN [BRACKETS] ARE MILLIMETERS

REVISIONS				
REV	DATE	DESCRIPTION	ECO	BY
01	2/15/12	INITIAL RELEASE	00798	HP
X	XX-XX-XX	XXX	XXXXX	XXX



NOTICE OF PROPRIETARY INFORMATION  
THIS DOCUMENT SHALL NOT BE REPRODUCED NOR SHALL THE INFORMATION CONTAINED HEREIN BE USED BY OR DISCLOSED TO OTHER EXCEPT AS EXPRESSLY AUTHORIZED BY T3 MOTION

TOLERANCES UNLESS OTHERWISE SPECIFIED  
X.XXXX = +/- 0.0005  
X.XXX = +/- 0.005  
X.XX = +/- 0.01  
X.X = +/- 0.1

ANGLES = ± 2°, FRACTIONS = ± 1/32  
MACHINE FINISH 32 OR BETTER REMOVE  
ALL BURRS AND BREAK ALL EDGES R.010 MAX

INITIAL	DATE
DRAWN	RDT 2/15/12
DESIGNED	HP 2/15/12
CHECKED	RDT 2/15/12
APPROVED	KC 2/15/12

DESCRIPTION  
REFLECTOR, 27.5 MM

PART NO  
**500-00054**

SHEET 1 OF 1 REV 01 SIZE: B