

FEATURE

SUNNUS elegant and uniquely designed Backlit LED panel light is mainly intended for reducing energy consumption and landscaping high brightness.

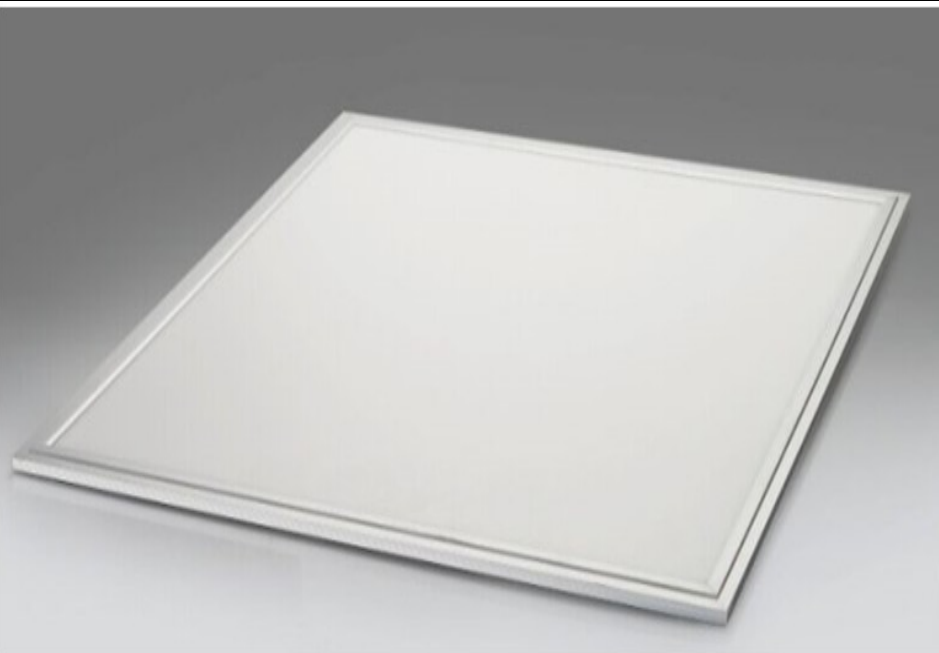
The high lighting efficiency can deliver up to 100-110lm/w.

Our panel is easy to install and maintain, and is to replace conventional lights like fluorescent lamps, energy saving lamps and down lights etc.

Especially applied for Office buildings, Supermarkets, Shopping centers, Conference halls, and Hotels etc.

Our warranties are for three years free replace and life time free maintenance .

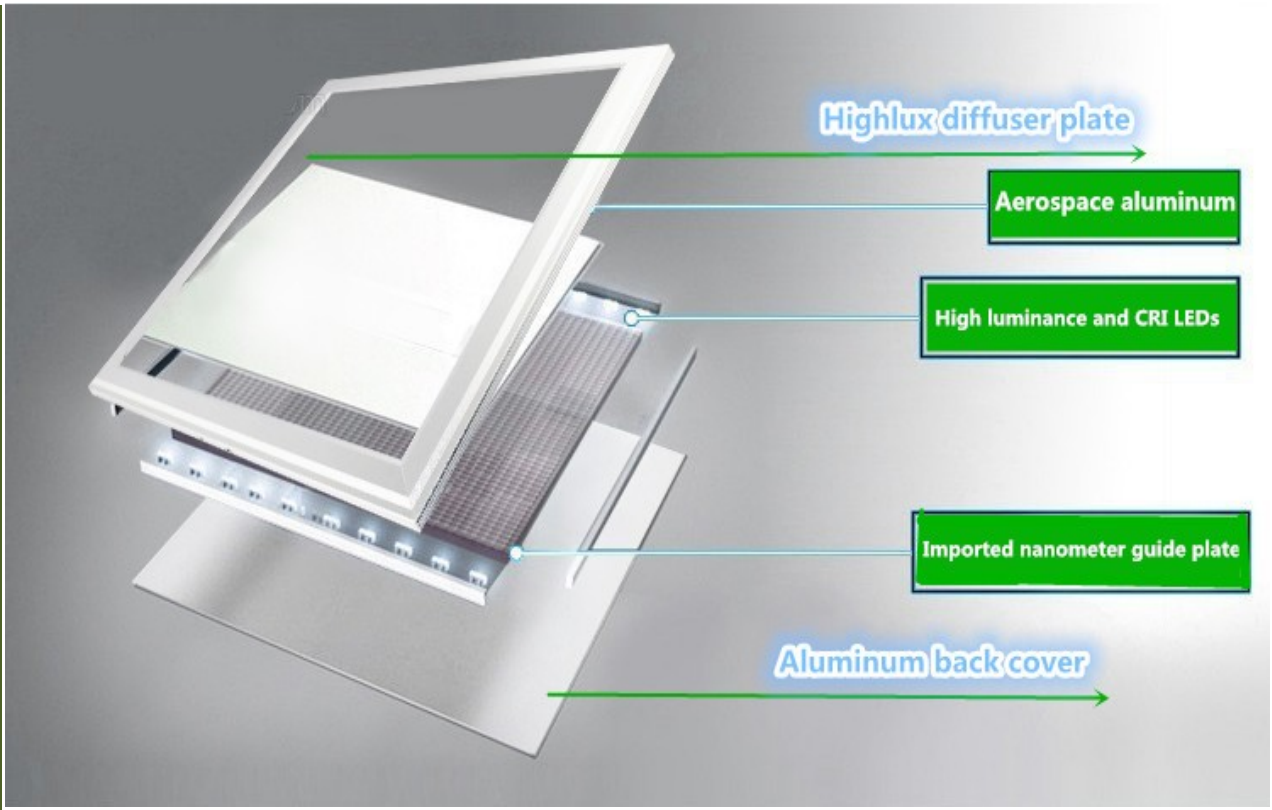
Our products are all strictly EU certificated



STRUCTURE:

Application:

- >Offices
- >Kitchens
- >Libraries
- >Department
- >Stores
- >Restaurants
- >Conference Rooms
- >Hospitals
- >Leisure Centers



A1: 36W Technical Parameter

Model		SN-PL6060-36W-L	SN-PL6060-36W-H	SN-PL6060-36W-H
Power		36W	36W	36W
Voltage		AC220V-240V 50/60HZ	AC220V-240V 50/60HZ	AC220V-240V 50/60HZ
LEDs		SMD120PCS 21lm	SMD 120PCS 24lm	SMD120PCS 29lm
Supply Current		182MA	182MA	182MA
Luminous Flux	Warn White	>70lm	>77lm	>107m
	Natural White	>72 lm	>80lm	>110lm
	Pure White	>75 lm	>82lm	>110lm
Color Temperature(CCT)	Warn White	2800-3500K	2800-3500K	2800-3500K
	Natural White	3800-4500K	3800-4500K	3800-4500K
	Pure White	5500-6500K	5500-6500K	5500-6500K
Beam Angle		120°	120°	120°
Colour Rendering Index(CRI)		Ra80	Ra80	Ra80
Power Supply Efficiency		>90%	>90%	>90%
LED Luminous Efficiency		> 70lm/w	> 80lm/w	> 110lm/w
Power Factor(PF)		>0.95	>0.95	>0.95
Total Harmonic Distortion(THD)		≤20%	≤20%	≤20%
IP Rating		IP20	IP20	IP20
Net Weight		2.72KG	2.72KG	2.72KG

A2: 40W Technical Parameter

Model		SN-PL6060-40W-L	SN-PL6060-40W-H	SN-PL6060-40W-H
Power		40W	40W	40W
Voltage		AC220V-240V 50/60HZ	AC220V-240V 50/60HZ	AC220V-240V 50/60HZ
LED Type		SMD144PCS 21lm	SMD 144PCS 24lm	SMD144PCS 29lm
Supply Current		202MA	202MA	202MA

Luminous Flux	Warn White	>70lm	>77lm	>107m
	Natural White	>72 lm	>80lm	>110lm
	Pure White	>75 lm	>82lm	>110lm
Color Temperature(CCT)	Warn White	2800-3500K	2800-3500K	2800-3500K
	Natural White	3800-4500K	3800-4500K	3800-4500K
	Pure White	5500-6500K	5500-6500K	5500-6500K
Beam Angle		120°	120°	120°
Colour Rendering Index(CRI)		Ra80	Ra80	Ra80
Power Supply Efficiency		>90%	>90%	>90%
LED Luminous Efficiency		>70lm/w	>80lm/w	>110lm/w
Power Factor(PF)		>0.95	>0.95	>0.95
Total Harmonic Distortion(THD)		≤20%	≤20%	≤20%
IP Rating		IP20	IP20	IP20
Net Weight		2.72KG	2.72KG	2.72KG

A2: 48W Technical Parameter

Model		SN-PL6060-48W-L	SN-PL6060-48W-H	SN-PL6060-48W-H
Power		48W	48W	48W
Voltage		AC220V-240V 50/60HZ	AC220V-240V 50/60HZ	AC220V-240V 50/60HZ
LED Type		SMD192PCS 21lm	SMD 192PCS 24lm	SMD192PCS 29lm
Supply Current		242MA	242MA	242MA
Luminous Flux	Warn White	>70lm	>77lm	>107m
	Natural White	>72 lm	>80lm	>110lm
	Pure White	>75 lm	>82lm	>110lm
Color Temperature(CCT)	Warn White	2800-3500K	2800-3500K	2800-3500K
	Natural White	3800-4500K	3800-4500K	3800-4500K
	Pure White	5500-6500K	5500-6500K	5500-6500K
Beam Angle		120°	120°	120°

Colour Rendering Index(CRI)	Ra80	Ra80	Ra80
Power Supply Efficiency	>90%	>90%	>90%
LED Luminous Efficiency	>70lm/w	>80lm/w	>110lm/w
Power Factor(PF)	>0.95	>0.95	>0.95
Total Harmonic Distortion(THD)	≤20%	≤20%	≤20%
IP Rating	IP20	IP20	IP20
Net Weight	2.72KG	2.72KG	2.72KG

B: Mechanical Specifications

LED Driver	Brand	Lifud / Microcontrol(Philips investment)
	Type	Solated Constant Current LED Driver
Connection to power		2X1.0mm 2PVC Cable
Housing Processing		White Paint Coating
Material		PMMA,PS, Aluminous
Cover		Frosty Front Cover
Installation Component Set		1. Recessed Installation, YES 2.Suspend Installation, Optional

C. Environmental

Temperature Range Operating	-20°C to 40°C
Humidity Range Operating	20 % to 95 %
Temperat ure Range Storage	-40°C to 75°C
Humidity Range Storage	10 % to 80 %

USER GUIDE:

Notes:

Please read this entire manual to fully understand and safely use the luminaire. The products can be used at the voltage of 220-240V AC, 50/60HZ, suitable for indoor and outdoor moisture proof and dust proof. Specifications are subject to change without notice. Please contact our sales for the most recent product information.

Unpacking:

1. Unpack and carefully examine the product.
2. Report any damage and save all packing materials if any part(s) were damaged during shipping.
3. Do not attempt to use the fixture if it is damaged.

Before You install:

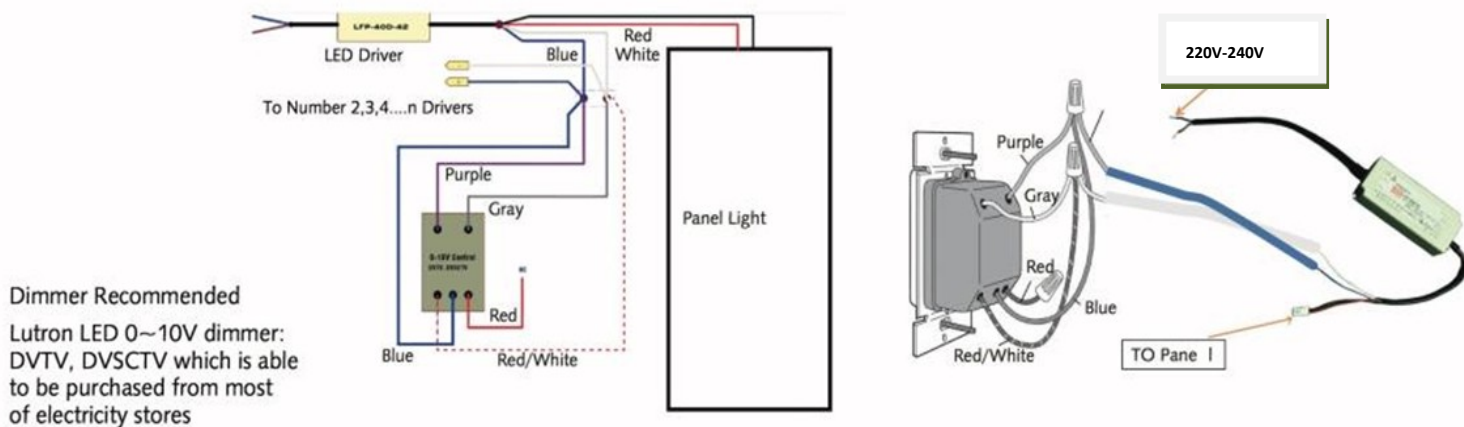
1. Before installing any light fixtures, read and understand all cautions, warnings, instructions and product labels. Failure to do so can result in injury and/or void the warranty.
2. CONSULT A QUALIFIED ELECTRICIAN TO ENSURE CORRECT BRANCH CIRCUIT CONDUCTOR.
3. The product should be installed and operated by a qualified electrician or technician in accordance with relevant local codes.
4. Risk of electric shock. Ensure that main power source is off when wiring or soldering the sections of the product.

Maintenance:

1. Disconnect the product from the power supply prior to cleaning.
2. Use a dry or slightly moistened cloth for cleaning.
3. Never use any chemicals or abrasive materials for cleaning.





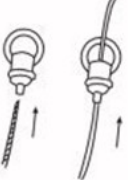
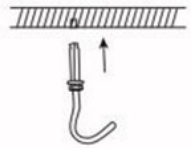
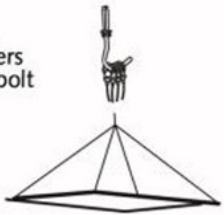
Installation Instructions:

1, Wiring Diagram (0-10V Dimmable Panel)

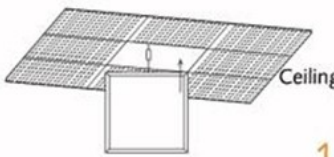
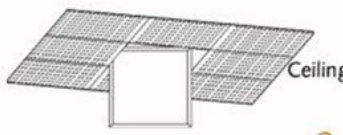
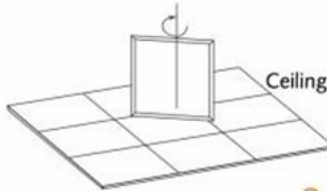
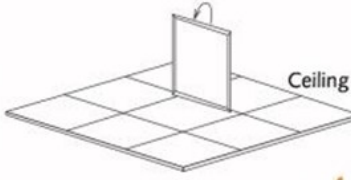
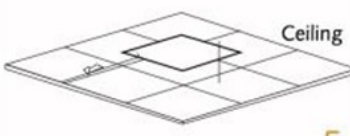
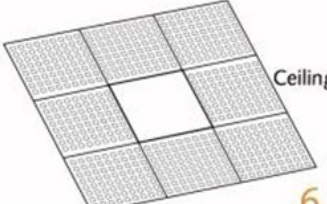


2, Three kinds of Installation ways

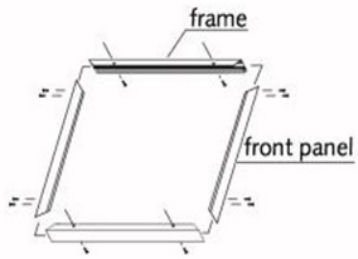
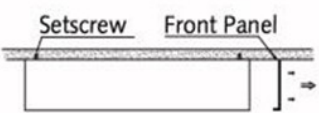
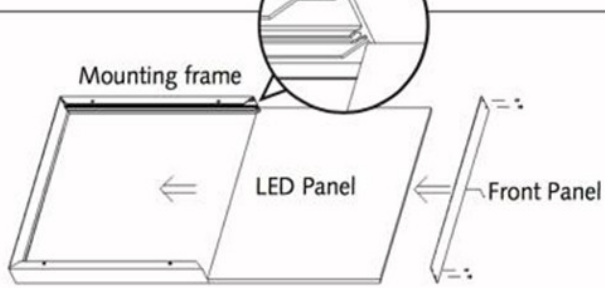
Suspension

 <p>sleeve anchor bolt</p>	 <p>Steel wire</p>	 <p>Steel wire adjustable holder</p>	<p>1. Put the ball end of the steel wire through the hole of the mount bracket of panel</p> 	<p>2. Put the other end of the steel wire through the wire holder, and adjust the length of the steel wire.</p>  <p>Push to adjust length of wire</p>
<p>3. mount the sleeve anchor bolt into ceiling</p> 		<p>4. hang the 4 wire holders to the sleeve anchor bolt</p> 		

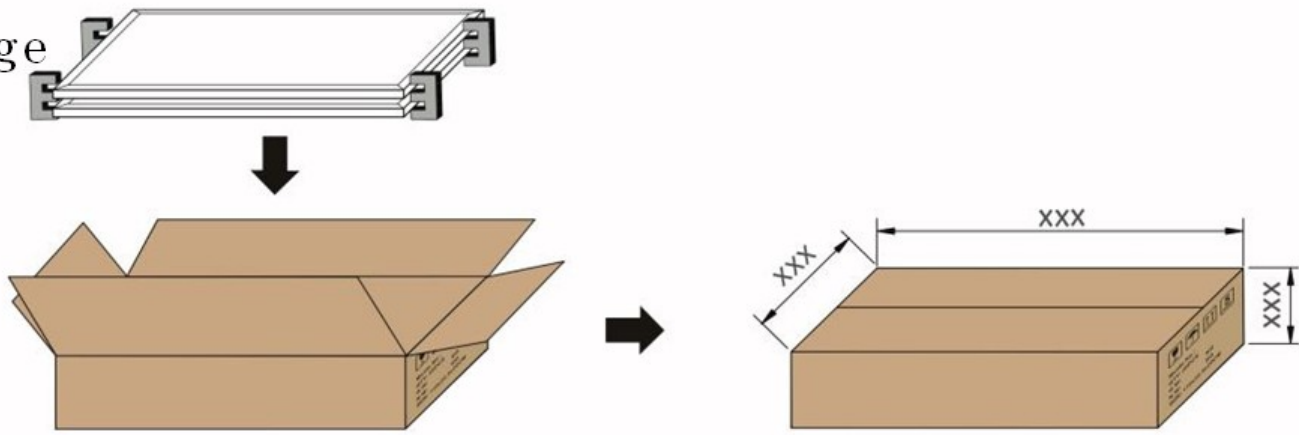
Recessed Mount

 <p>1.</p>	 <p>2.</p>	 <p>3.</p>	 <p>4.</p>
 <p>5.</p>	 <p>6.</p>		

Ceiling Mount

 <p>1. Dis-assemble the front panel of the mounting frame and mount the frame into ceiling by setscrew.</p> <div style="display: flex; align-items: center;"> <div style="margin-right: 20px;"> <p>2x2frame: 24Lx1W x 2.5H</p> <p>1x4frame: 48Lx1W x 2.5H 12Lx1W x 2.5H</p> <p>2x4frame: 24Lx1W x 2.5H 48Lx1W x 2.5H</p> </div>  </div>	 <p>2. Slide the LED panel into the mounting frame, then screw in the front panel</p>
---	---

Package



* INNER BOX

SIZE: L610*W30*H610MM

WEIGHT: 4.3KG/BOX



6PCS PACKED IN THREE INNER BOX IN ONE OUTER BOX

*OUTER BOX

SIZE: L660*W115*H670MM

WEIGHT: 13.5KG